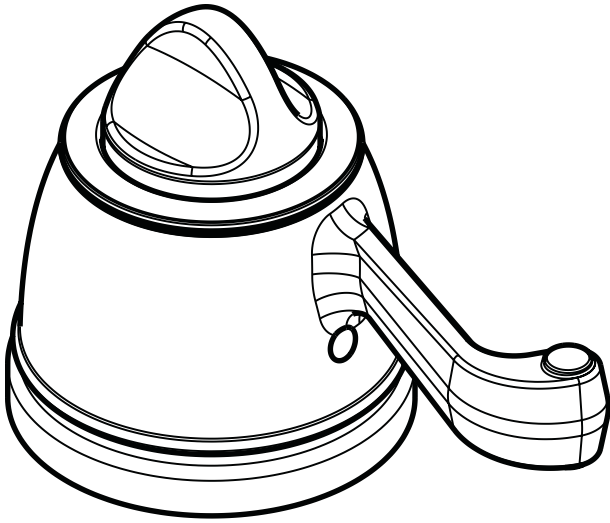


Tango™ C ThermoBalance II Deck Valve

06455XX0

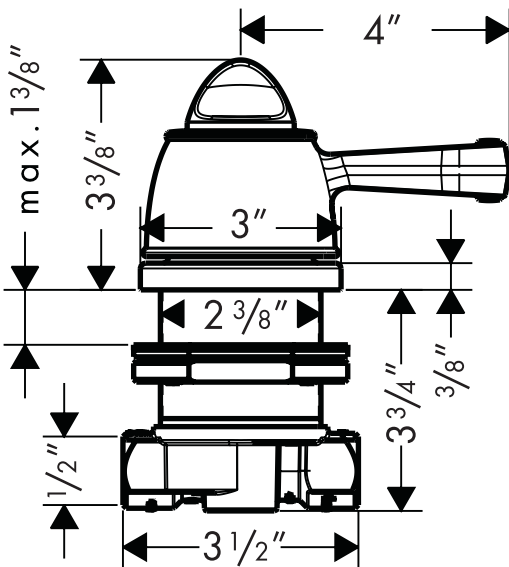


Product Features

- Scroll handle
- Coordinates with Swing™ C, Tango™ C, Limbo™ C
- Thermostatic temperature control, 2-way diverter, and volume control in one unit
- Single hole installation
- Includes both rough and trim
- High temperature limit stop may be reset to comply with local plumbing codes
- Max. flow rate 8 gpm @ 44 psi

Available Finishes

Chrome	06455000
Oil Rubbed Bronze	06455620
Brushed Nickel	06455820
Polished Nickel	06455830



Optional Accessories

Tub spout and rough, Swing™ C	06448XX0
Tub spout and rough, Tango™ C	06447XX0
Tub spout and rough, Limbo™ C	06446XX0
Metal hose pull-out set	06438XX0
Handshower – many styles available	

The measurements shown are for reference only.

Products and specifications shown are subject to change without notice.

Specification sheet revised 1/2008

hansgrohe